



Product Manual

Airack Glass Dryer - Lite

Airack Glass Dryer - Lite



Version: 3

Date Issued: 17/01/2019

Index

- CS-A0054 - Airack Glass Dryer - Lite - 40 Size**
- CS-A0055 - Airack Glass Dryer - Lite - 45 Size**
- CS-A0056 - Airack Glass Dryer - Lite - 50 Size**

Airack Lite Operating Instructions	3
About The Airack Lite	3
How To Use The Airack Lite	3
Standard Baskets	4
Compartmented Baskets	4
Daily Maintenance	5
Cleaning Of The Airack Lite	5
Caring For Your Airack Lite.....	7
Airack Lite Installation	8
WEEE	10
Service And Warranty.....	11
Warranty.....	11
Service	13
Disclaimer	14

Airack Lite Operating Instructions

About The Airack Lite

1. The Airack Lite is designed to facilitate fast drying and cooling of glasses following the washing process.
2. The Airack Lite reduces the drying times from > 40 minutes to ~ 4 minutes.
3. Airack Lite speeds up the turnaround of glasses whilst delivering them in perfect condition for dispense.
4. The use of wet, warm glasses will impair the presentation of the glass, and carbonated drinks will appear flat.
5. The Airack is available in three sizes 40cm, 45cm and 50cm. For best results use the correct size Airack for your Glasswasher baskets (400mm, 450mm or 500mm square).

How To Use The Airack Lite

1. Switch on the power to the Airack Lite.
2. Immediately after the washing process, place a full basket of glasses on top of the unit and select the required drying time by turning the manual timer to start the drying cycle.

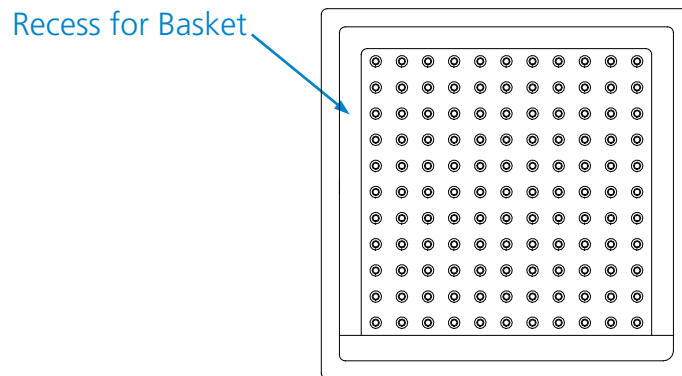
The drying action is achieved by drawing in air from the base of the unit and blowing this air onto the glasses using a matrix of air nozzles.

The cooling action is achieved by the velocity of air passing over the glasses, reducing the glass temperature to just below ambient.

3. The unit will switch off when the minutes on the manual timer have ran out.
4. When drying is complete, remove the basket of clean dry glasses for immediate use, or to storage.

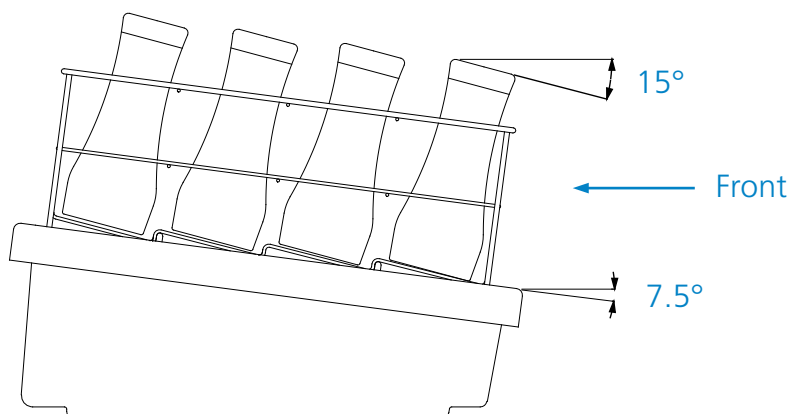
Standard Baskets

1. The top of the Airack Lite incorporates a moulded recess to locate the 400, 450 or 500mm sq basket (dependant on the Airack model) centrally over the matrix of air nozzles.



Compartmented Baskets

1. Good results will be provided when using standard racks, however, for best drying performance and optimum glass care, use the Clenaware 400/450/500mm sq compartmented glass racks.
2. Clenaware compartmented baskets tilt the glass at $7\frac{1}{2}^{\circ}$ from horizontal. This is to aid the drying process.
3. When placed onto the Airack Lite the glasses will be angled at a further $7\frac{1}{2}^{\circ}$ resulting with a total glass angle of 15° to the horizontal.



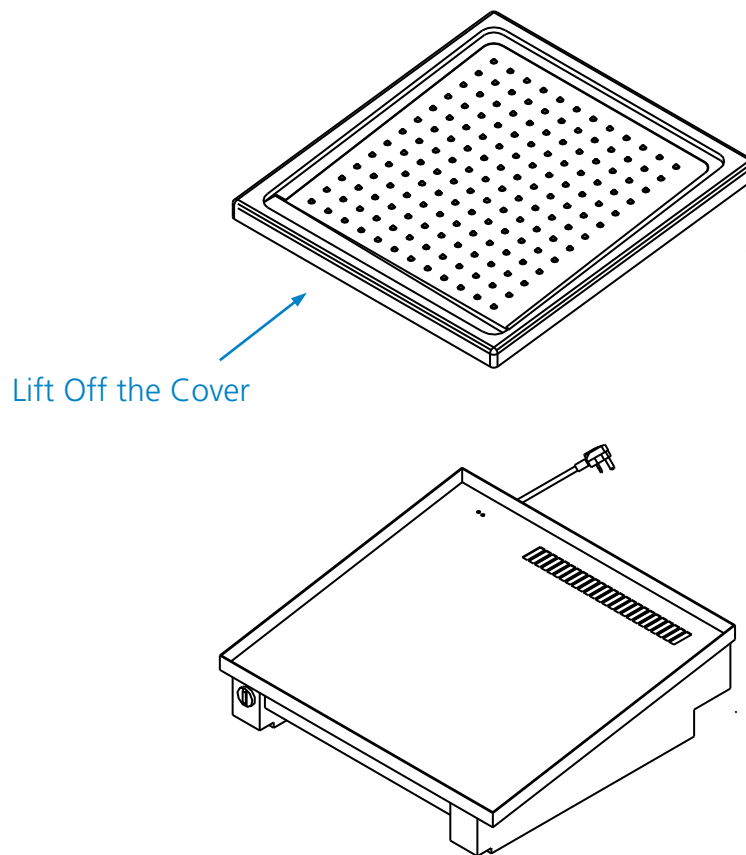
Important: Place the compartmented Basket onto the Airack Lite, orientated so that the glasses are tilted towards you, to give the maximum angle.

Daily Maintenance

Cleaning The Airack Lite

Step 1

1. Isolate the electrical supply and remove the Cover from the base.



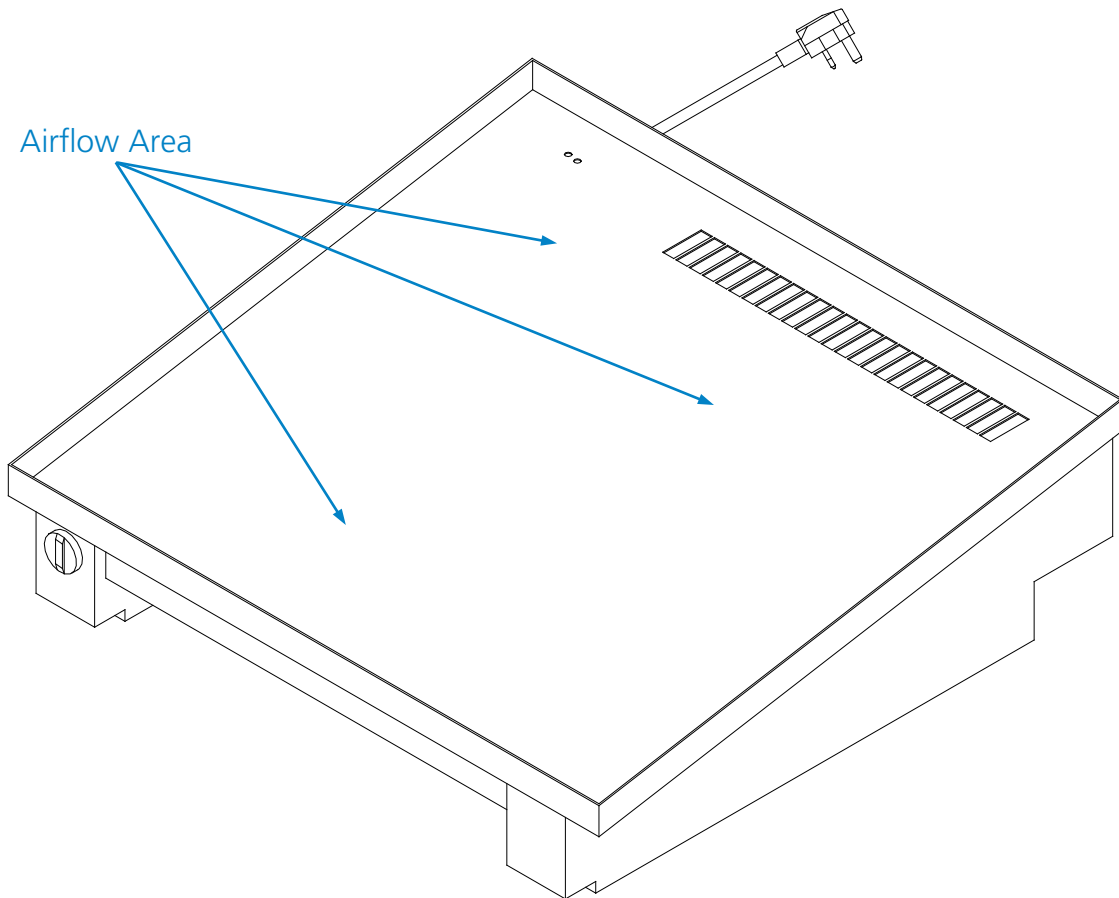
Step 2

1. Clean the top of the cover using a damp cloth.
2. Clean the underside of the cover using a damp cloth, paying particular attention to the air nozzles and base mating surfaces.
 - a) Do not use proprietary cleaning agents
 - b) The odours will contaminate the glasses

Step 3

1. Use a damp cloth to clean the Airflow Area.

Do not use proprietary cleaning agents in the Airflow Area. The odours will contaminate the glassware.



Step 4

1. Reassemble the unit, Reconnect the electrical supply and operate several cycles before use.

Caring For Your Airack Lite

Observance of the following will ensure maximum efficiency from your Airack Lite:

Please “Do” The Following:

1. Dry the glasses immediately after the washing process.
2. Always use a full load of glasses in the basket.
3. Always place the basket centrally on the drying unit (top is recessed).
4. Always ensure the correct orientation of compartmented baskets placed on the Airack Lite.
5. Always wait until the glasses are dried before removing the basket.
6. Clean the Airack Lite daily (see daily maintenance).

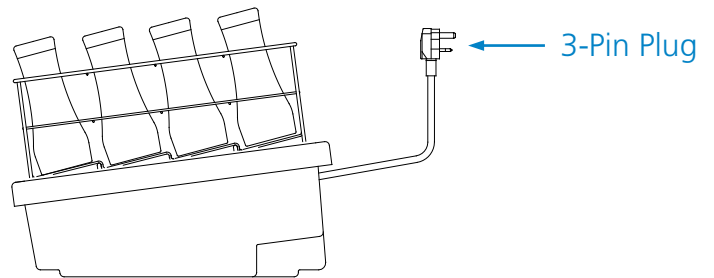
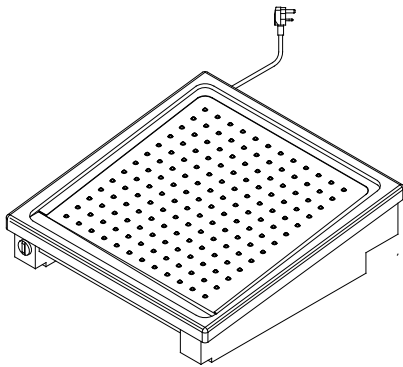
Please “Do Not” Do The Following:

1. Never use the Airack Lite for dregs disposal, or for liquid disposal.
2. Never use proprietary cleaning agents in the Airack Lite.
3. Do not sit or stand on the Airack Lite unit, or use the unit for any purpose other than drying glassware.

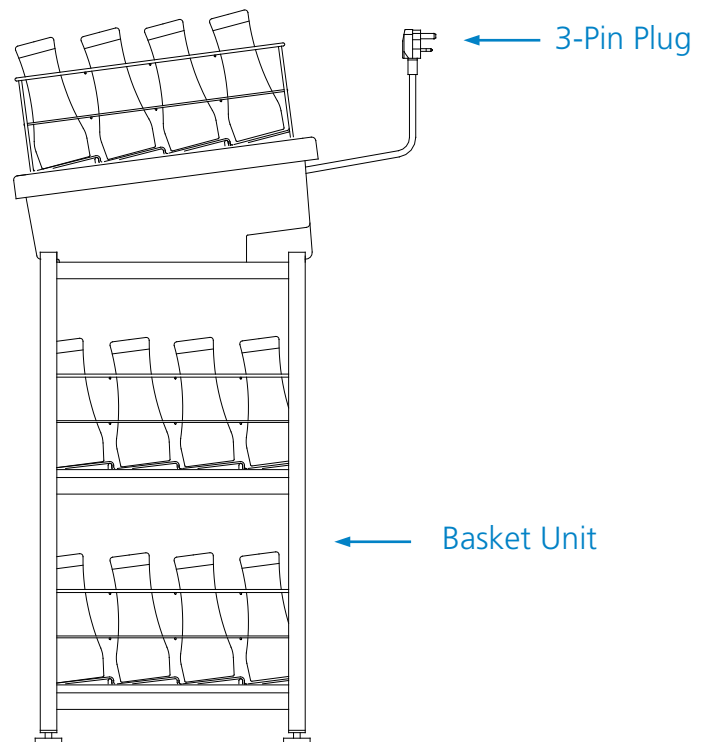
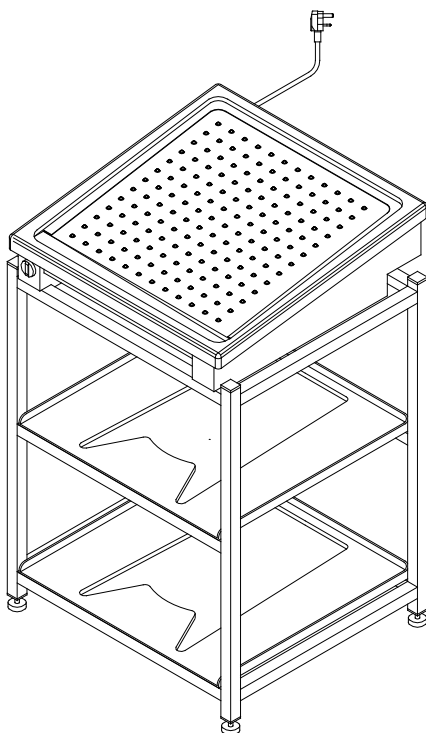
Airack Lite Installation

Siting

1. The Airack can be free-standing on a flat horizontal counter-top, onto a shelf or on the top of a glasswashing machine.



2. Alternatively, the unit can be mounted onto a Clenaware basket unit close to the glasswasher. This solution provides an optimum working height and storage for 400, 450 & 500mm sq. racks.



Connection To Services

Electrical

The unit is supplied complete with mains cable and 3 pin 13A plug-top (fused @ 3 amp). A 240V 3 pin socket is required within 1 metre of the unit, and accessible for isolation.

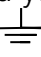
Check that your supply voltage is within the range stamped on the plate fitted to the rear of the unit.

Warning - This Appliance Must Be Earthed

Important: The wires in the mains lead are coloured in accordance with the following code:

Green and Yellow	-	Earth
Brown	-	Live
Blue	-	Neutral

As these colours may not correspond with the colour markings on your plug terminals, proceed as follows:

1. The wire coloured green and yellow must be connected to the plug terminal marked "E", or by the earth symbol  or coloured green or green and yellow.
2. The wire coloured brown must be connected to the terminal marked "L", or coloured red.
3. The wire coloured blue must be connected to the terminal marked "N", or coloured black.

Technical Specification

1. Designed for drying glasses in 400mm, 450mm & 500mm square baskets.
2. Drying cycle can be set for up to 30 minutes as desired.
3. Drying cycle starts when the desired time is selected on the timer.
4. Drying cycle stops after the minutes on the timer run out.
5. Crossflow Fan delivering an airflow up to 320m³/h.
6. Quiet operation, typically 59dB.
7. 220-240V 50Hz 150W electrical (fused @ 3 amps).
8. Drying platform angled @ 7½° to aid draining/drying.

Clenaware Systems Ltd reserve the right to amend specifications

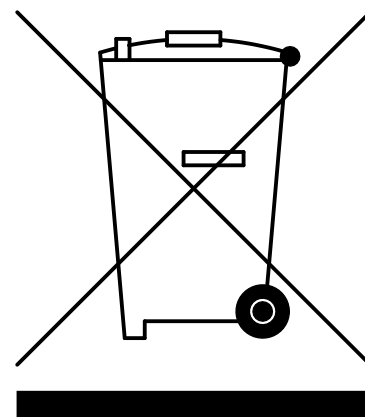
WEEE

This equipment contains electrical and electronic components.

At the end of its life, this equipment should not be mixed with general waste during disposal.

For proper treatment, recovery and recycling, please take this equipment to a designated recycling facility. Please contact your local authority for further details of your nearest designated recycling facility.

Alternatively, you can contact your supplier of the equivalent new product to arrange disposal.



Service And Warranty

Warranty

All Clenaware Systems machines are covered by a 12 month guarantee.

Clenaware Systems Ltd guarantee that any and all products manufactured and marketed under the Clenaware Systems name and used in the correct way are free from defects in material and/or workmanship for a period of 12 months from the date of first installation.

All repairs will be carried out Monday to Friday and between the hours of 9.00am and 17.30pm.

The Clenaware Systems warranty covers any material or manufacturing and we will repair or replace any defect provided that:

1. Installation and commissioning was carried out by Clenaware Systems or an approved / nominated agent in accordance with the Clenaware Systems requirements as detailed in the user manual.
2. Products and/or components are not modified, altered or dismantled by unauthorised persons.
3. Products are maintained in accordance with the Clenaware Systems requirements by Clenaware Systems or an approved / nominated agent.
4. Products are cleaned, and preventative maintenance carried out in accordance with the Clenaware Systems requirements as detailed in the owner's manual and on the care card.
5. Warranty service is performed by Clenaware Systems or an approved / nominated agent using genuine Clenaware Systems replacement parts supplied by Clenaware Systems or an approved / nominated agent.
6. A maintenance service has been carried out by Clenaware Systems or an approved / nominated agent at 12 months from purchase/installation. This is chargeable to the customer.
7. That chemicals used during normal operating are those recommended and purchased from Clenaware Systems or an approved / nominated agent.

The Clenaware Systems warranty will not cover the following:

1. Failure or damage caused by misuse, accidental or malicious damage.
2. Failure or damage caused by the loss of or fluctuations in electrical power supply.
3. Failure or damage caused by water supply failure or any other plumbing or drainage problem. This includes any water treatment device connected to the product.
4. Labour and material costs associated with cleaning and preventative maintenance as detailed in the owner's manual or failure to perform a 12 month service.
5. Labour and material costs associated with replacing filters or other water treatment devices.
6. Labour and material costs where non recommended chemicals are used causing failure due to corrosion, loss of beer-head retention, taste, appearance, cleanliness of washed glassware, or the formation of lime scale within the machine.
7. Labour and material costs associated with failure or operating problems caused by incorrect installation.
8. Any consequential loss as a result of product failure.
9. No fault found calls; these will be chargeable to the customer.
10. Costs associated with repairs requested out of hours i.e. before 09.00 hours and after 17.30 hours, Monday to Friday, all day Saturday, Sunday and Public Holidays.

Service

Warranty

1. All warranty service is performed by Clenaware Systems or an approved / nominated agent.
2. Warranty service is performed Monday to Friday and between the hours of 09.00am and 17.30pm.
3. All warranty claims should be logged by calling: 01933 666244.

Please have the following details to hand to speed up the processing of your call:

- a) Machine Serial Number
- b) Site Name
- c) Contact Name & Telephone Number
- d) Access Times
- e) Description of problem

When calling please try to avoid "Out Of Order", "It's Faulty" or "Not Washing Correctly" as the "Description of problem".

Maintenance & Servicing

1. A number of different types of service contracts are available through Clenaware Systems or an approved / nominated agent.
2. All enquiries should be logged by calling: 01933 666244.
3. For further information or clarification on warranty and service please contact Clenaware Systems using the details on the last page of this document.

Disclaimer

1. Installation and commissioning of the Clenaware Systems machines should be carried out by Clenaware Systems or an approved / nominated agent in accordance with the Clenaware Systems requirements as detailed in the user manual. Failure to install and commission a machine in line with these requirements can invalidate the warranty.
2. As part of a process of ongoing innovation and brand development, Clenaware Systems reserves the right to change specifications without prior notice.
3. Brand Names, Trade Marks, Trade Names, Images and Drawings used in any documents relating to a Clenaware Systems product are for reference purposes only and should not be reproduced without the written permission of Clenaware Systems Ltd.



Clenaware Systems Ltd

Main Office & Factory Address

44 Huxley Close
Park Farm Industrial Estate
Wellingborough
Northants
NN8 6AB



Contact Details

Phone: +44 (0) 1933 666244

Fax: +44 (0) 1933 665584

Web: www.clenaware.co.uk

Email: info@clenaware.co.uk